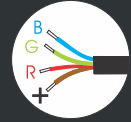


Sniper Mini

ADD
LIGHTING

High power LED garden light



RGB 4C type

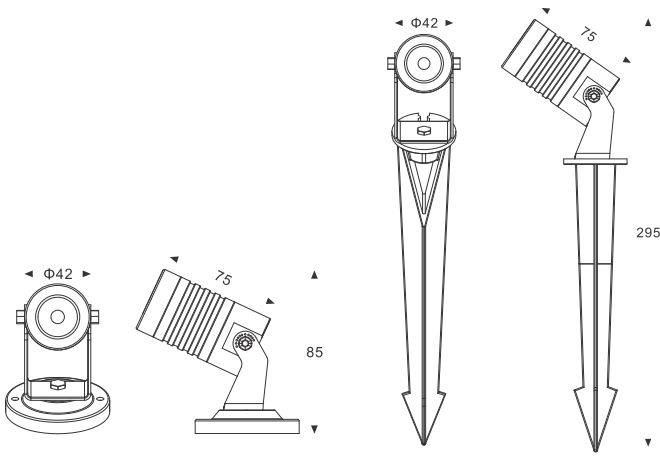


B3AM0102
B3AM0106



B3AB0102
B3AB0106





Three painting colors for option

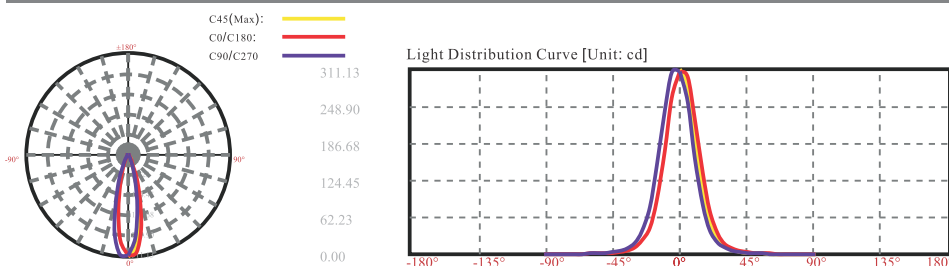


Specifications

Housing	Aluminum anodized finishing & powder painting
Glass	Tempered glass. T=3mm
Lens	Optical lens, efficiency $\geq 85\%$
Cable gland	Copper and nickel coated
Gasket	Tooling shaped seal
LED	TO type power LED
PCB	Excellent heat conductivity aluminum, coefficient of Heat Conductivity $\geq 2.0w/mk$
Driver	Constant current output Single color LED=1-circuit output RGB 3in1 LED =3-circuit output
Operating temperature	-20°C~40°C
Power cable	H05RN-F 2X1.0mm ² L=2m (low voltage) H05RN-F 3X1.0mm ² L=2m (high voltage) H05RN-F 4X0.75mm ² L=2m (for RGB)

Item No.	Light source	The manufacturer selected lens	Degree (°)	Input voltage (v)	Typical operating current(mA)	Typical consumption(w)	Typical luminance (lm)	IK rate
B3AB0102	1×3W	B4	30	24VDC 120/240	24V=110 120V=48 240V=28	24V=2.6 120V=3.3 240V=3.3	Cool white=95 Warm white=81	02
B3AB0106	1×3W RGB 3in1	B4	30	24V DC	R=38 G=53 B=54	3.5	50	02
B3AM0102	1×3W	B4	30	24VDC 120/240	24V=110 120V=48 240V=28	24V=2.6 120V=3.3 240V=3.3	Cool white=95 Warm white=81	02
B3AM0106	1×3W RGB 3in1	B4	30	24V DC	R=38 G=53 B=54	3.5	50	02

Graphical Representation for B3AB0102 warm white light



Lux distance Curve

Distance (m)	Illuminance at a Distance	
	Center Beam LUX	Beam Width (m)
2m	76.88 LUX	0.9m x 0.9m
4m	19.22 LUX	1.8m x 1.8m
6m	8.54 LUX	2.7m x 2.7m
8m	4.81 LUX	3.6m x 3.6m
10m	3.08 LUX	4.5m x 4.5m
12m	2.14 LUX	5.4m x 5.4m

View Spread 25.4° Horz. Spread 25.4°