

Downlight

solo compact fluorescent

Features

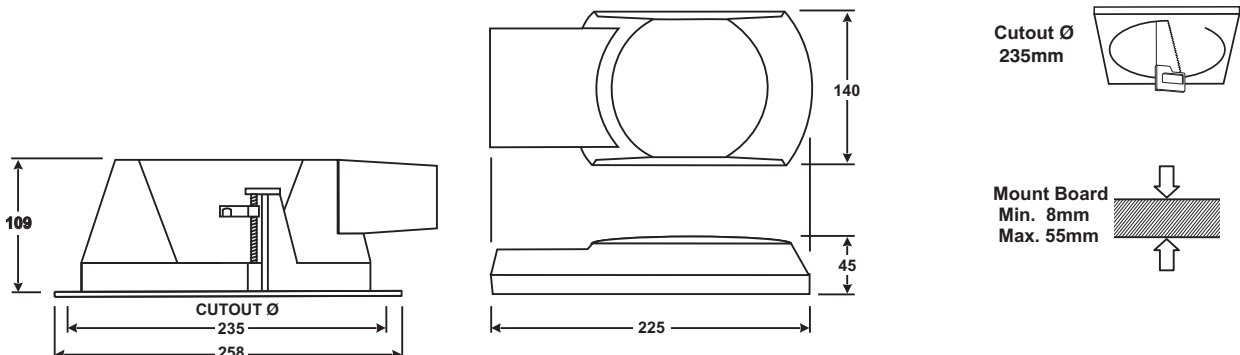
- All models equipped with high frequency electronic control gear.
- Quick and simple to install.
- Constructed from rugged plastic = corrosion proof.
- Low profile design - less than 110mm.
- Ultra efficient vacuum plated reflector. Semi-Specular available.
- Vast range of optional attachment, these can be fitted post install.
- Removable facial ring caters for ease of ceiling painting.
- Available with DALI, DSI, 1-10v dimmable, or emergency control gear.
- Available with dual circuit individually switching lamps.
- Tamper and Vandal proof units available upon request.



Code Description

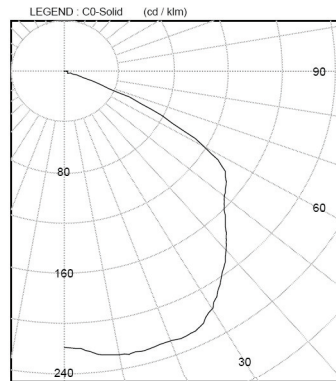
ADL 1130	1x13w TC-DEL Recessed Downlight c/w Electronic
ADL 1180	1x18w TC-DEL Recessed Downlight c/w Electronic
ADL 1260	1x26w TC-DEL Recessed Downlight c/w Electronic
ADL 113D	1x13w TC-DEL Recessed Downlight c/w 0-10V Dimmable Gear
ADL 118D	1x18w TC-DEL Recessed Downlight c/w 0-10V Dimmable Gear
ADL 126D	1x26w TC-DEL Recessed Downlight c/w 0-10V Dimmable Gear
ADL 113DSI	1x13w TC-DEL Recessed Downlight c/w DSI Dimmable Gear
ADL 118DSI	1x18w TC-DEL Recessed Downlight c/w DSI Dimmable Gear
ADL 126DSI	1x26w TC-DEL Recessed Downlight c/w DSI Dimmable Gear
ADL 113DALI	1x13w TC-DEL Recessed Downlight c/w DALI Dimmable Gear
ADL 118DALI	1x18w TC-DEL Recessed Downlight c/w DALI Dimmable Gear
ADL 126DALI	1x26w TC-DEL Recessed Downlight c/w DALI Dimmable Gear

Dimensions



Technical

Polar Curve (2 x 26w)



AVERAGE LUMINANCE (cd / sq.m / klm)

Gamma	C0
45.0	7545
55.0	8034
65.0	5256
75.0	468
85.0	331

INTENSITY DATA (cd / klm)

Gamma	C0	LMS.	Gamma	C0	LMS.
0	220		90	0	
5	224	22	95	0	0
10	228		100	0	
15	229	65	105	0	0
20	228		110	0	
25	227	104	115	0	0
30	217		120	0	
35	200	126	125	0	0
40	185		130	0	
45	168	130	135	0	0
50	153		140	0	
55	145	127	145	0	0
60	118		150	0	
65	70	70	155	0	0
70	28		160	0	
75	4	8	165	0	0
80	1		170	0	
85	1	1	175	0	0
90	0		180	0	

ZONAL LUMENS AND PERCENTAGES

Zone	Lumens	%Lamp	%Luminaire
0-30	190	19.0	29.2
0-40	316	31.6	48.5
0-60	573	57.3	87.8
0-90	652	65.2	100.0
40-90	336	33.6	51.5
60-90	79	7.9	12.2
90-180	0	0.0	0.0
0-180	652	65.2	100.0

Light Output Ratio = 65.2 %

SHR-NOM = 1.50 Calculated using the TM5
SHR-MAX = 1.54 fine grid method.

Body

The body is constructed from rugged high temperature corrosion proof injection-moulded plastic. The fitting assembly snaps together - no nuts, bolts or screws are required to assemble or install. The Vacuum Metallised Reflector is specifically designed to achieve the most efficient light output. High efficiency Semi-Specular (Matt) Reflector finish is also available.

Gearbox

The gearbox assembly is mounted along-side the fitting, and allows for installation into shallow ceiling cavities. It is a well designed tamper proof Gearbox which requires a tool to open.

Wiring

Quality of the Downlight is ensured by the use of reliable components. All models are equipped with High Quality Electronic Ballasts. All models are tested before dispatch.

Mounting

Connect to power source. Wind-down arms turn, lower, and secure the fitting when screwed clockwise until tight. Lamps are fitted along with optional Attachment or standard Facia ring with a twist-lock quarter turn. All of the Attachment Accessories can be fitted or exchanged easily after installation.